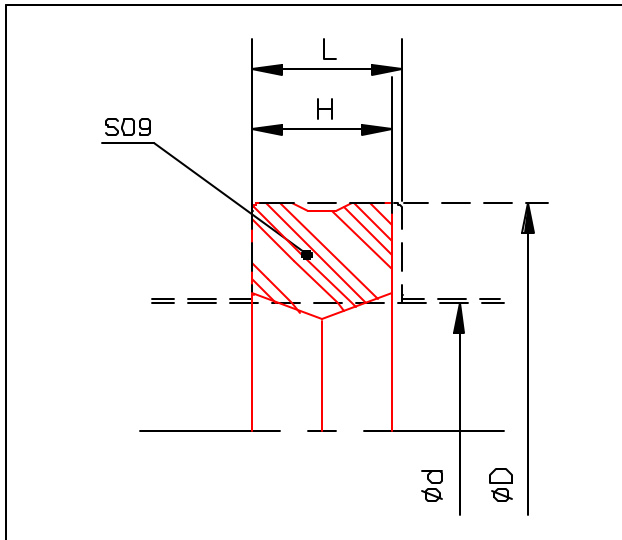
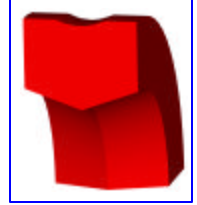


Heavy Duty Static Seal

Type: S09 Series

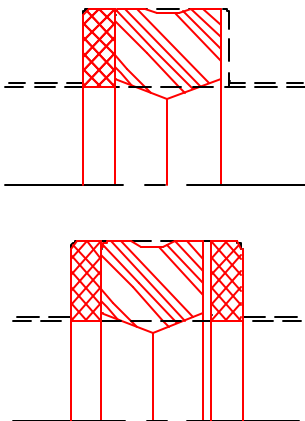


Material : P03/001 Standard

Pressure	6000psi (400 bar)	
Media - Temp compatibility	Min (F)	Max (F)
Hydraulic oil	-38	+250
Water based Emulsions	+40	+140
Water Glycol	-38	+140
Water	+40	+130
Polyol Ester	-38	+150

Benefits:

- Interchangeable with standard o-rings
- Long life due to robust design
- Will not roll during installation
- Available in inch or metric sizes
- Fits into all standard o-ring grooves
- Higher seal force due to seal design
- Easy installation



Can be used with back-up ring combinations for high clearance applications

