

Type: R89



The R89 high pressure rotary seal is a newly developed product specifically designed to meet the needs of high speed rotating unions.

The seal consists of a unique three component design which can be snapped or expanded into a closed groove. The proprietry seal material is extremely wear and temperature resistant. Surface speeds over 17 ft/sec. can be achieved at high pressures.

Please consult us with your specific application.



Patent Pending

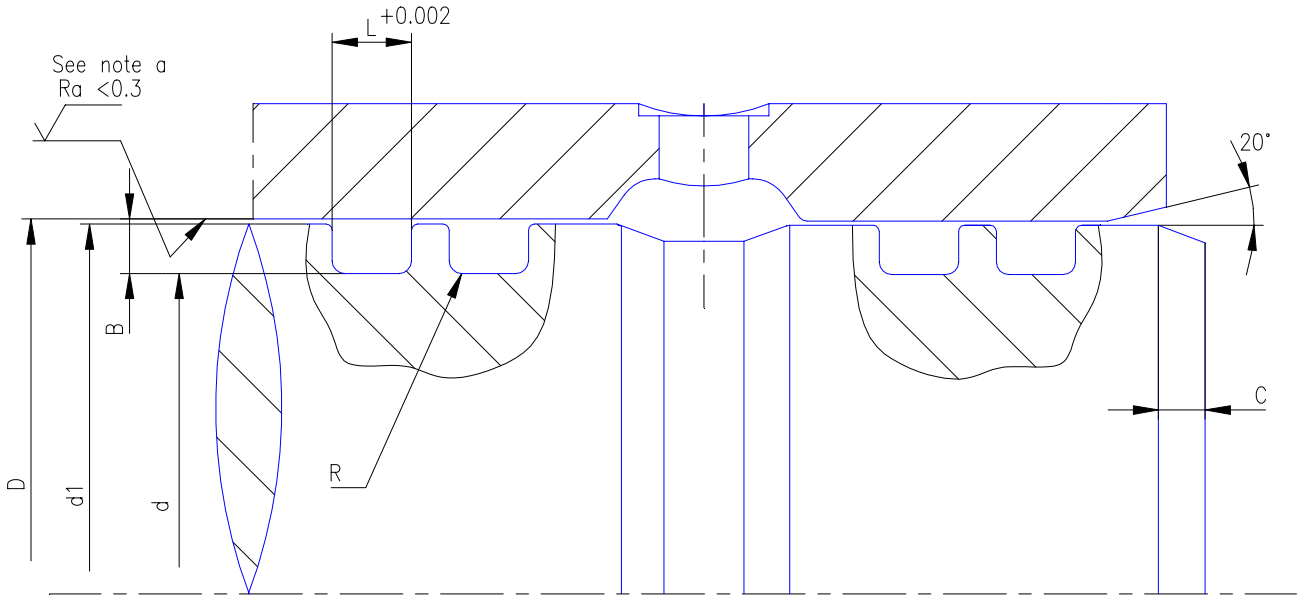
**Material : Polyetheretherketone - filled**

<b>Pressure</b>	6000psi ( 400 bar )	
<b>Speed</b>	17 ft/sec ( 5.18 m/s )	
<b>Media - Temp compatibility</b>	Min (F)	Max (F)
Hydraulic oil	-38	300
Water based Emulsions	40	180
Water Glycol	-38	180
Water	40	180
Polyol Ester	-38	180

Type: R89



Typical Configuration



Groove Dimensions

	<b>Bore dia D</b>	<b>B</b>	<b>d</b>	<b>d1</b>	<b>L</b>	<b>C</b>	<b>R</b>
Series 1	Up to 2.000"	0.171	Dia D - 0.342	Dia D - 0.001	0.250	0.295	0.008
Series 2	Up to 5.000"	0.250	Dia D - 0.500	Dia D - 0.001	0.375	0.375	0.008

Non standard and custom sizes available on request