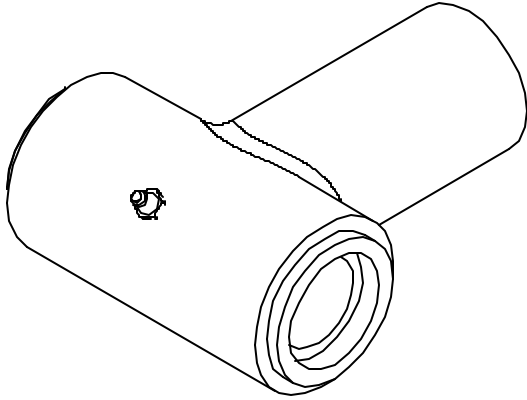
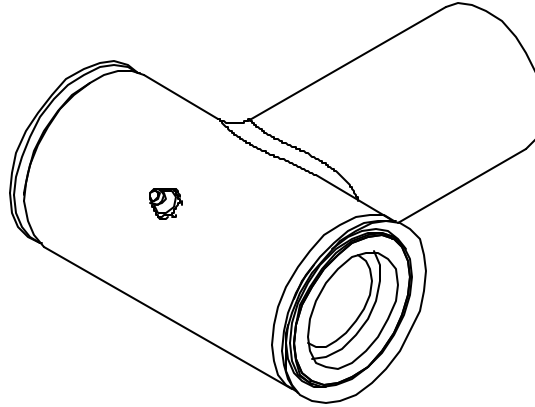


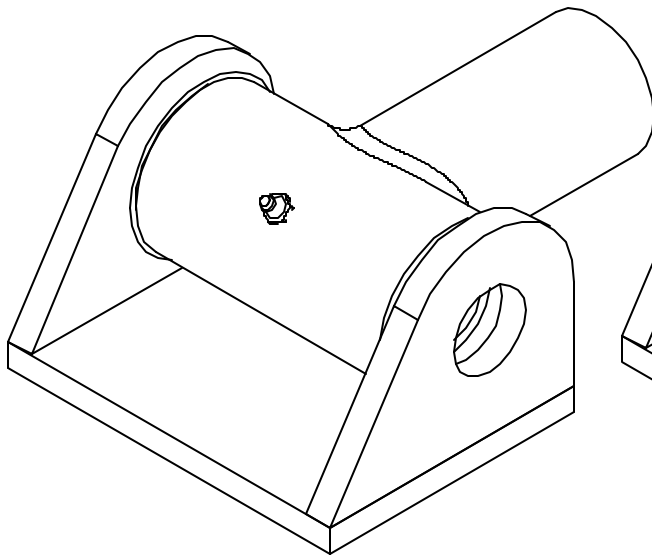
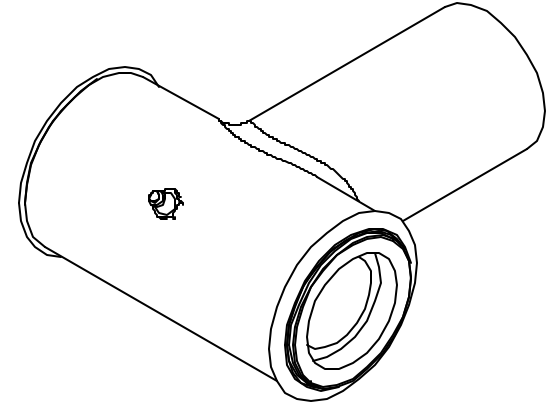
Step 1:
Rod End



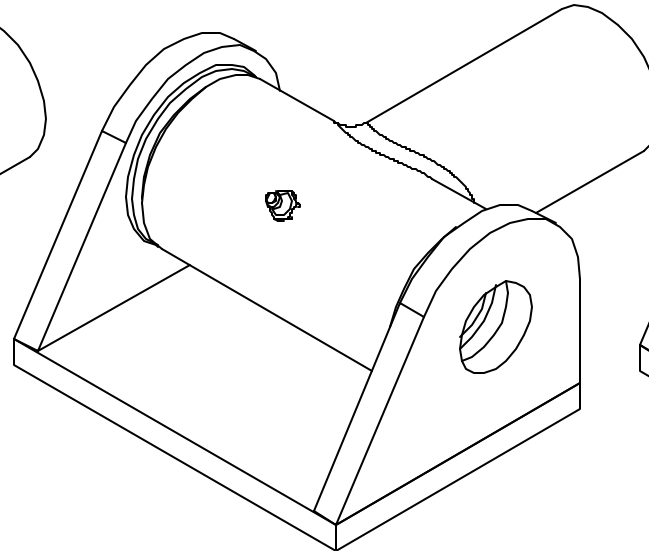
Step 2:
Install Pin Seals



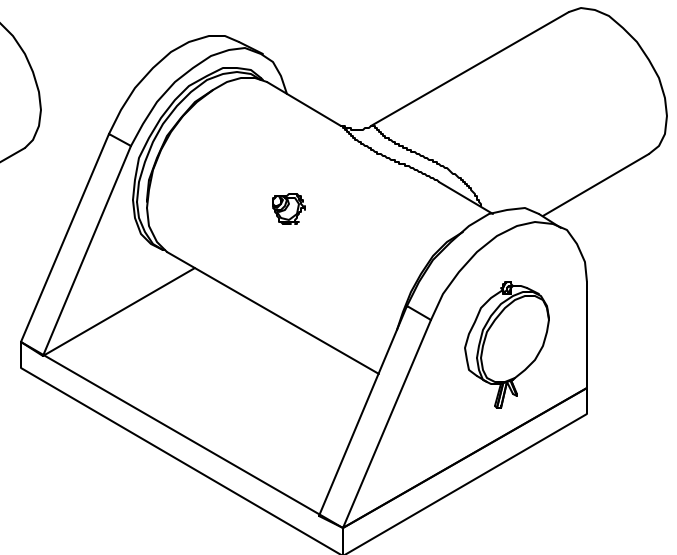
Step 3:
Fold Back Pin Seal Lips



Step 4:
Insert Rod End



Step 5:
Flip Pin Seal Lips Back
into Function Position



Step 6:
Install Pin &
Fill w/Grease