

Material

The L2M rotary shaft seal is available in robust NBR nitrile rubber or high temperature-resistant FPM fluoroelastomer. For extremely low temperatures, the seal can be supplied in silicone. Both springs are constructed from 316 SS.

Material	Code
Nitrile rubber NBR + steel	N40
Fluoroelastomer FPM + steel	F30

Operating Parameters

Temperature	NBR/metal N40	
	°C	°F
NBR	-20...+120	-4...+248
FPM	-20...+220	+4...+428
Silicone	-60...+180	-76...+356

Max Speed (FPM)	35 m/s (115 ft/sec)
Max. misalignment	2.5mm
Shaft Hardness	>50 HRC

Note: for other materials or fluids please contact our engineering department

Description

The High-Speed Rotary Shaft Seal L2M offers a significant advantage over conventional garter spring seal types through its highly-elastic garter/finger spring combination. This design minimises the effects of external forces that may cause changes in lip preload, thus ensuring a consistent fluid film underneath the lip, and outstanding seal life and performance.

Product Benefits

- Optimal seal life through consistent lip preload
- Sealing performance even with shaft misalignment
- Robust construction
- Range of materials to cover multitude of applications

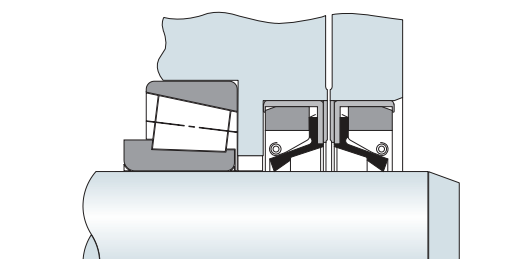
Applications

The rotary shaft seal L2M has been developed specifically for severe operating conditions.

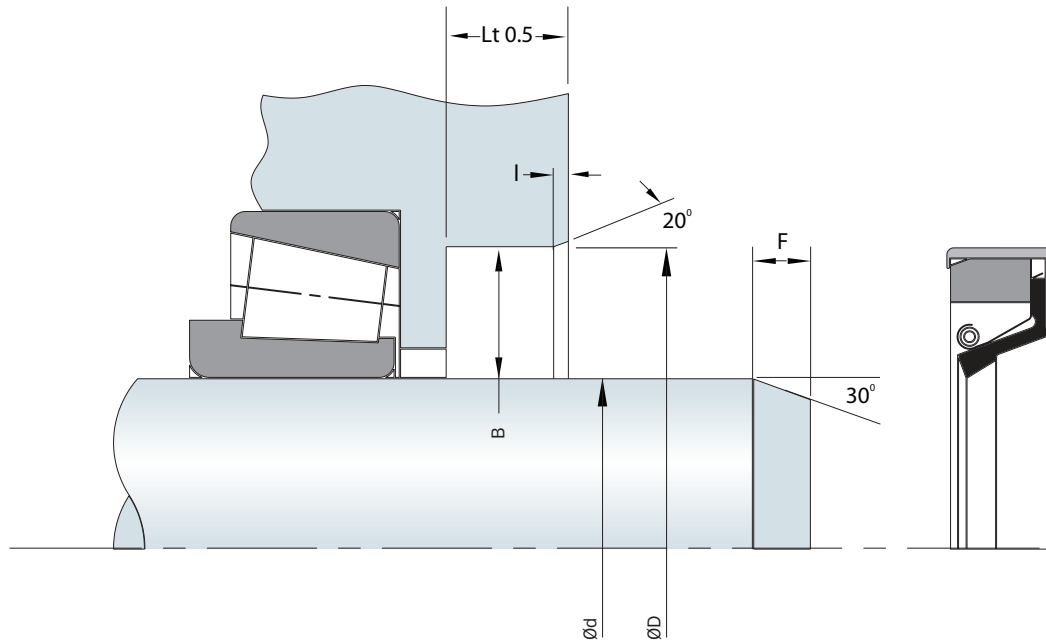
Typical applications include:

- As a roll neck bearing seal in steel and aluminum mills
- High- speed paper mills
- Mineral crushers
- Large diameter gear boxes

Installation Drawing



Design Guidelines



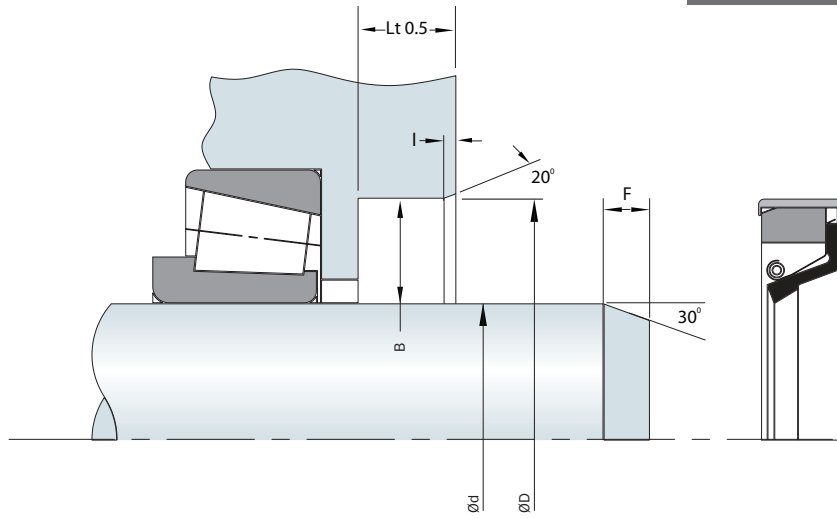
L2M Styles

L2M Standard	Shaft seal for the spare part divisions for existing rolls and new applications up to 1200 m/min. Available in NBR / Silicone / FKM / HNBR. On request with additional dust lip (designation L2MP)
L2M VT	Oil seals with special autolubricating compound with more resistance to the abrasion and for applications up to 1300 m/min. Only available in FKM compound. On request with additional dust lip (designation L2MP-VT)
L2M-PL	PL stands for optimized lip design. The elastomer is a special autolubricating compound and the lip profile configuration changed in order to be used at higher speeds creating less temperature at the lip. Speeds between 1400 and 1600 m/min. Seals only available in FKM compound. On request with additional dust lip (designation L2MP-PL)
L2M-PLS	Further upgrading of the L2M-PL version not to be used in paper application. Special designed for high speed gear drives, aluminium foil mills, high speed cold mills. On request with additional dust lip (designation L2MP-PLS)
L2M-VF	VF describes an L2M-seal with a vulcanized PTFE-lip tip. This style combines the flexibility of the FKM compound with the advantages PTFE has over rubber concerning max temperature and speed. 2200 m/min are in test positively. Only available in 1 FKM + PTFE film. On request with additional dust lip (designation L2MP-VF)
L2M-TE-VT	TE - stands for external lip. The ideal solution for paper machine bending compensation rolls with stationary axis and rotating shell. 3000 m/min have been reached in trial conditions. Only available in special FKM autolubricating compound that has more resistance to abrasion and reduces friction of the seal to the shaft. On request with additional dust lip (designation L2MP-TE)
L2M-BP	BP is the designation for L2M seals, which can take pressures above 0.5 bar up to 1 bar. Special profiles could be made for higher pressure.

Surface Finish

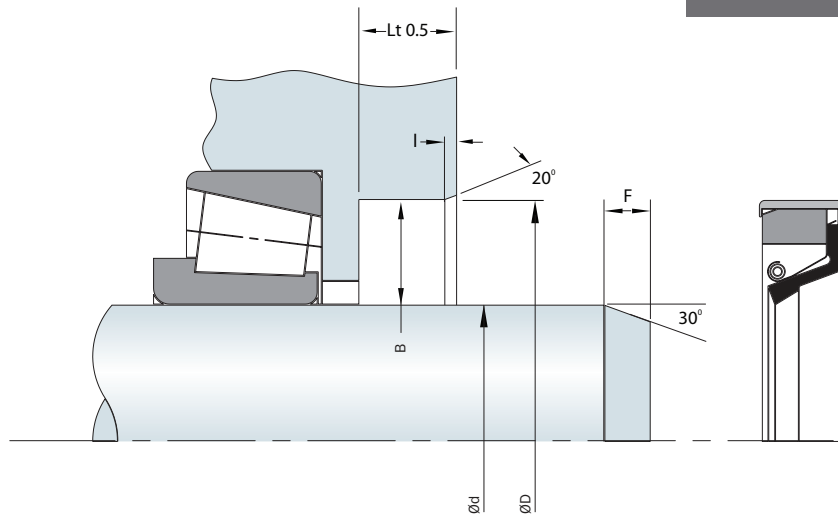
Surface roughness	Ra	Rt	RMS
Sliding surface	≤0.3 µm	≤3 µm	6-12 RMS
Surface of groove I.D.	≤1.8 µm	≤10 µm	64 RMS
Sides of groove	≤3 µm	≤16 µm	64 RMS

Lead in chamfer	(F)
≤ 250	7.0mm
>250.	12.0mm



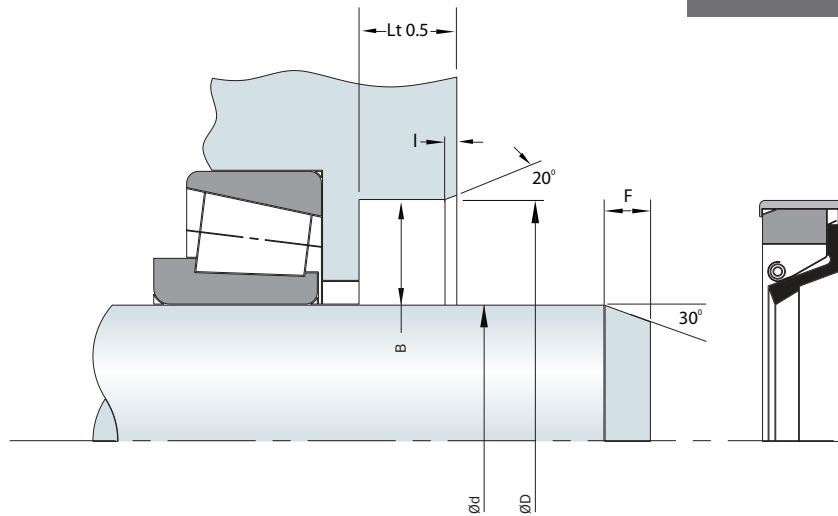
Parts List

Metric				Inch				NBR/FPM
$\varnothing d$	$\varnothing D$	B	L	$\varnothing d$	$\varnothing D$	B	L	
155.57	193.67	19.05	17.45	6.125	7.625	0.750	0.687	L2M-1299
180.97	209.55	14.29	19.05	7.125	8.250	0.563	0.750	L2M-3011
200.00	240.00	20.00	20.00	7.874	9.449	0.787	0.787	L2M-3013
200.02	238.12	19.05	17.45	7.875	9.375	0.750	0.687	L2M-9176
203.20	241.30	19.05	17.45	8.000	9.500	0.750	0.687	L2M-3921
206.37	257.17	25.40	17.45	8.125	10.125	1.000	0.687	L2M-9712
209.55	260.35	25.40	20.62	8.250	10.250	1.000	0.812	L2M-4499
212.72	250.82	19.05	17.45	8.375	9.875	0.750	0.687	L2M-3933
212.72	263.52	25.40	20.62	8.375	10.375	1.000	0.812	L2M-4500
215.90	247.65	15.88	14.28	8.500	9.750	0.625	0.562	L2M-1705
215.90	247.65	15.88	16.56	8.500	9.750	0.625	0.652	L2M-6384
215.90	254.00	19.05	17.45	8.500	10.000	0.750	0.687	L2M-8453
215.90	266.70	25.40	20.62	8.500	10.500	1.000	0.812	L2M-3938
219.07	257.17	19.05	17.45	8.625	10.125	0.750	0.687	L2M-3939
219.07	260.60	20.77	17.45	8.625	10.260	0.818	0.687	L2M-2736
219.07	273.05	26.99	20.62	8.625	10.750	1.063	0.812	L2M-7718
220.00	250.00	15.00	18.00	8.661	9.843	0.591	0.709	L2M-3039
222.25	260.35	19.05	17.45	8.750	10.250	0.750	0.687	L2M-3946
222.25	266.70	22.23	17.45	8.750	10.500	0.875	0.687	L2M-9911
222.25	273.05	25.40	20.62	8.750	10.750	1.000	0.812	L2M-3952
225.42	276.22	25.40	20.62	8.875	10.875	1.000	0.812	L2M-3953
228.60	266.70	19.05	17.45	9.000	10.500	0.750	0.687	L2M-3954
228.60	279.40	25.40	20.62	9.000	11.000	1.000	0.812	L2M-3955
231.77	269.87	19.05	17.45	9.125	10.625	0.750	0.687	L2M-3957
231.77	282.57	25.40	20.62	9.125	11.125	1.000	0.812	L2M-3962
232.00	269.87	18.94	17.45	9.134	10.625	0.745	0.687	L2M-8765
234.95	273.05	19.05	17.45	9.250	10.750	0.750	0.687	L2M-3963
234.95	285.75	25.40	17.45	9.250	11.250	1.000	0.687	L2M-9706
238.12	288.92	25.40	20.62	9.375	11.375	1.000	0.812	L2M-4610

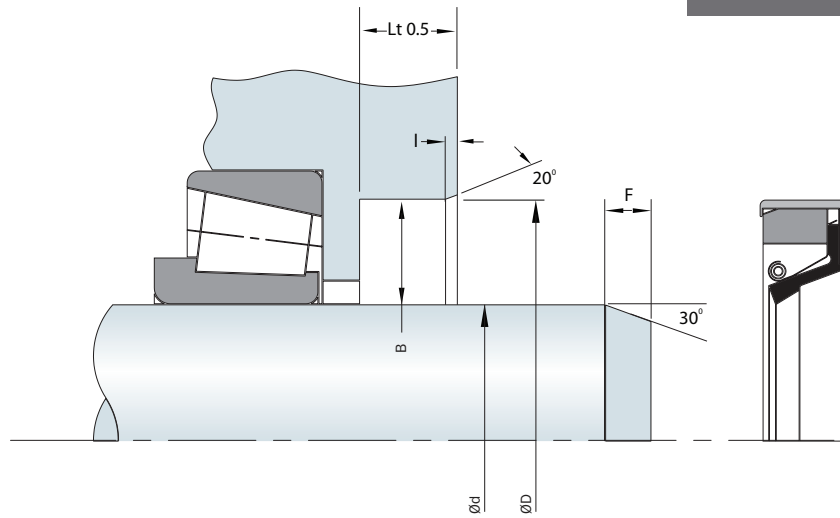


Parts List

Metric				Inch				NBR/FPM
ød	ØD	B	L	ød	ØD	B	L	
240.00	270.00	15.00	15.00	9.449	10.630	0.591	0.591	L2M-3040
240.00	280.00	20.00	20.00	9.449	11.024	0.787	0.787	L2M-3015
240.00	280.00	20.00	20.00	9.449	11.024	0.787	0.787	L2M-3015
241.30	273.05	15.88	14.28	9.500	10.750	0.625	0.562	L2M-3145
241.30	285.75	22.23	19.05	9.500	11.250	0.875	0.750	L2M-3981
241.30	292.10	25.40	20.62	9.500	11.500	1.000	0.812	L2M-3984
247.65	282.57	17.46	14.28	9.750	11.125	0.687	0.562	L2M-1692
247.65	285.75	19.05	17.45	9.750	11.250	0.750	0.687	L2M-3985
247.65	298.45	25.40	17.45	9.750	11.750	1.000	0.687	L2M-9425
254.00	292.10	19.05	17.45	10.000	11.500	0.750	0.687	L2M-3992
254.00	298.45	22.23	19.05	10.000	11.750	0.875	0.750	L2M-3994
254.00	304.80	25.40	20.62	10.000	12.000	1.000	0.812	L2M-3997
254.00	304.80	25.40	22.22	10.000	12.000	1.000	0.875	L2M-3998
254.00	311.15	28.58	20.62	10.000	12.250	1.125	0.812	L2M-3669
257.17	295.27	19.05	17.45	10.125	11.625	0.750	0.687	L2M-3999
257.17	298.45	20.64	17.45	10.125	11.750	0.813	0.687	L2M-5989
260.35	298.45	19.05	17.45	10.250	11.750	0.750	0.687	L2M-4004
260.35	311.15	25.40	20.62	10.250	12.250	1.000	0.812	L2M-4009
260.35	317.50	28.58	20.62	10.250	12.500	1.125	0.812	L2M-4015
266.70	304.80	19.05	17.45	10.500	12.000	0.750	0.687	L2M-4011
266.70	317.50	25.40	20.62	10.500	12.500	1.000	0.812	L2M-4017
270.00	308.00	19.00	17.45	10.630	12.126	0.748	0.687	L2M-7769
273.05	311.15	19.05	17.45	10.750	12.250	0.750	0.687	L2M-4023
273.05	317.50	22.23	22.22	10.750	12.500	0.875	0.875	L2M-4033
273.05	323.85	25.40	15.87	10.750	12.750	1.000	0.625	L2M-3014
273.05	323.85	25.40	20.62	10.750	12.750	1.000	0.812	L2M-4031
273.05	330.20	28.58	20.62	10.750	13.000	1.125	0.812	L2M-4022
273.05	336.55	31.75	20.62	10.750	13.250	1.250	0.812	L2M-4026
276.22	314.32	19.05	17.45	10.875	12.375	0.750	0.687	L2M-4027
276.22	317.50	20.64	17.45	10.875	12.500	0.813	0.687	L2M-4028

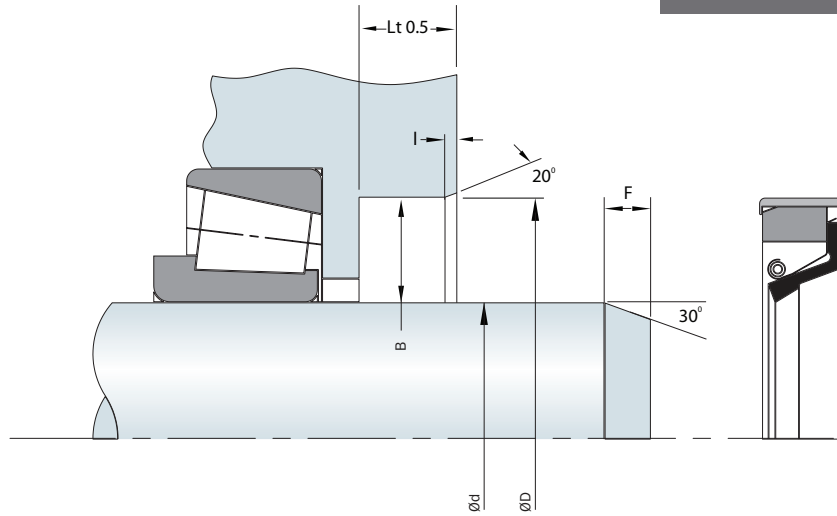

Parts List

Metric				Inch				NBR/FPM
ød	ØD	B	L	ød	ØD	B	L	
279.40	311.15	15.88	14.28	11.000	12.250	0.625	0.562	L2M-3135
279.40	317.50	19.05	17.45	11.000	12.500	0.750	0.687	L2M-4611
279.40	330.20	25.40	17.45	11.000	13.000	1.000	0.687	L2M-6034
279.40	330.20	25.40	20.62	11.000	13.000	1.000	0.812	L2M-4036
280.00	319.98	19.99	19.98	11.024	12.598	0.787	0.787	L2M-7391
280.00	340.00	30.00	20.62	11.024	13.386	1.181	0.812	L2M-4039
282.57	330.20	23.82	17.45	11.125	13.000	0.938	0.687	L2M-3699
282.57	336.55	26.99	20.62	11.125	13.250	1.063	0.812	L2M-3700
285.75	323.85	19.05	17.45	11.250	12.750	0.750	0.687	L2M-4527
285.75	336.55	25.40	17.45	11.250	13.250	1.000	0.687	L2M-8778
285.75	336.55	25.40	20.62	11.250	13.250	1.000	0.812	L2M-4047
288.92	339.72	25.40	20.62	11.375	13.375	1.000	0.812	L2M-4052
292.10	330.20	19.05	17.45	11.500	13.000	0.750	0.687	L2M-4057
292.10	342.90	25.40	20.62	11.500	13.500	1.000	0.812	L2M-4063
298.45	336.55	19.05	17.45	11.750	13.250	0.750	0.687	L2M-4064
304.80	342.90	19.05	17.45	12.000	13.500	0.750	0.687	L2M-4612
304.80	346.07	20.64	17.45	12.000	13.625	0.812	0.687	L2M-8523
304.80	349.25	22.23	17.45	12.000	13.750	0.875	0.687	L2M-3701
304.80	355.60	25.40	17.45	12.000	14.000	1.000	0.687	L2M-5838
304.80	355.60	25.40	19.05	12.000	14.000	1.000	0.750	L2M-4071
304.80	355.60	25.40	20.62	12.000	14.000	1.000	0.812	L2M-4072
304.80	374.65	34.93	20.62	12.000	14.750	1.375	0.812	L2M-3702
307.97	352.42	22.23	17.45	12.125	13.875	0.875	0.687	L2M-4053
311.15	349.25	19.05	17.45	12.250	13.750	0.750	0.687	L2M-4613
311.15	349.25	19.05	22.22	12.250	13.750	0.750	0.875	L2M-4614
311.15	355.60	22.23	17.45	12.250	14.000	0.875	0.687	L2M-4055
311.15	361.95	25.40	20.62	12.250	14.250	1.000	0.812	L2M-4075
314.32	352.42	19.05	17.45	12.375	13.875	0.750	0.687	L2M-4076
314.32	355.60	20.64	17.45	12.375	14.000	0.813	0.687	L2M-4056
314.32	365.12	25.40	17.45	12.375	14.375	1.000	0.687	L2M-4097



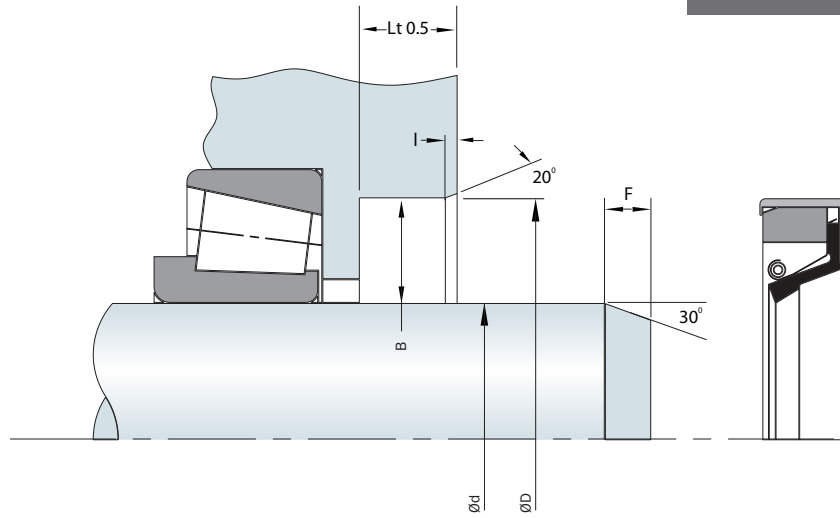
Parts List

Metric				Inch				NBR/FPM
$\varnothing d$	$\varnothing D$	B	L	$\varnothing d$	$\varnothing D$	B	L	
314.32	368.30	26.99	20.62	12.375	14.500	1.063	0.812	L2M-4106
317.50	355.60	19.05	17.45	12.500	14.000	0.750	0.687	L2M-4079
317.50	368.30	25.40	19.05	12.500	14.500	1.000	0.750	L2M-4082
317.50	368.30	25.40	20.62	12.500	14.500	1.000	0.812	L2M-4083
317.50	381.00	31.75	20.62	12.500	15.000	1.250	0.812	L2M-4084
320.67	358.77	19.05	17.45	12.625	14.125	0.750	0.687	L2M-4081
320.67	368.30	23.82	17.45	12.625	14.500	0.938	0.687	L2M-3716
322.24	374.65	26.21	20.62	12.687	14.750	1.032	0.812	L2M-9766
323.85	361.95	19.05	17.45	12.750	14.250	0.750	0.687	L2M-4089
323.85	374.65	25.40	17.45	12.750	14.750	1.000	0.687	L2M-7652
323.85	381.00	28.58	20.62	12.750	15.000	1.125	0.812	L2M-4092
327.02	381.00	26.99	20.62	12.875	15.000	1.063	0.812	L2M-5404
330.00	370.00	20.00	18.00	12.992	14.567	0.787	0.709	L2M-3007
330.20	368.30	19.05	17.45	13.000	14.500	0.750	0.687	L2M-4093
330.20	377.82	23.81	17.45	13.000	14.875	0.937	0.687	L2M-4096
330.20	381.00	25.40	20.62	13.000	15.000	1.000	0.812	L2M-4099
336.55	374.65	19.05	17.45	13.250	14.750	0.750	0.687	L2M-4101
336.55	377.82	20.64	17.45	13.250	14.875	0.812	0.687	L2M-7734
336.55	381.00	22.23	17.45	13.250	15.000	0.875	0.687	L2M-7169
336.55	384.17	23.81	17.45	13.250	15.125	0.937	0.687	L2M-4105
336.55	387.35	25.40	17.45	13.250	15.250	1.000	0.687	L2M-6294
336.55	387.35	25.40	20.62	13.250	15.250	1.000	0.812	L2M-4779
342.90	381.00	19.05	17.45	13.500	15.000	0.750	0.687	L2M-4121
342.90	393.70	25.40	20.62	13.500	15.500	1.000	0.812	L2M-4128
342.90	400.05	28.58	20.62	13.500	15.750	1.125	0.812	L2M-4123
346.07	393.70	23.82	17.45	13.625	15.500	0.938	0.687	L2M-4120
349.25	387.35	19.05	17.45	13.750	15.250	0.750	0.687	L2M-4529
349.25	393.70	22.23	19.05	13.750	15.500	0.875	0.750	L2M-4531
349.25	400.05	25.40	20.62	13.750	15.750	1.000	0.812	L2M-4129
349.25	406.40	28.58	20.62	13.750	16.000	1.125	0.812	L2M-4119



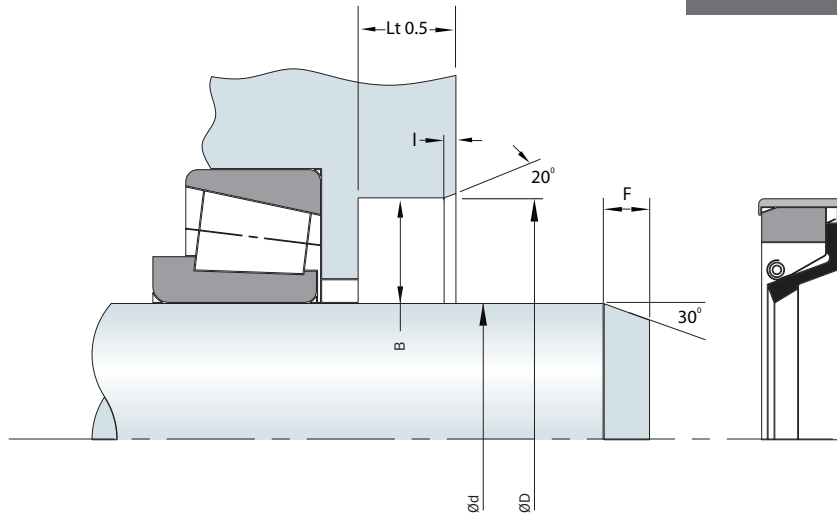
Parts List

Metric				Inch				NBR/FPM
ød	ØD	B	L	ød	ØD	B	L	
350.85	406.40	27.78	20.62	13.813	16.000	1.094	0.812	L2M-4108
352.42	406.40	26.99	20.62	13.875	16.000	1.063	0.812	L2M-4110
353.99	392.09	19.05	17.45	13.937	15.437	0.750	0.687	L2M-4130
354.02	393.70	19.84	17.45	13.938	15.500	0.781	0.687	L2M-4111
354.02	406.40	26.19	17.45	13.938	16.000	1.031	0.687	L2M-4112
355.60	393.70	19.05	17.45	14.000	15.500	0.750	0.687	L2M-4131
355.60	400.05	22.23	17.45	14.000	15.750	0.875	0.687	L2M-5991
355.60	400.05	22.23	19.05	14.000	15.750	0.875	0.750	L2M-4134
355.60	406.40	25.40	20.62	14.000	16.000	1.000	0.812	L2M-4135
355.60	412.75	28.58	20.62	14.000	16.250	1.125	0.812	L2M-5382
355.60	419.10	31.75	20.62	14.000	16.500	1.250	0.812	L2M-7535
360.00	404.00	22.00	17.45	14.173	15.906	0.866	0.687	L2M-9996
360.34	424.99	32.33	20.62	14.187	16.732	1.273	0.812	L2M-9280
361.95	400.05	19.05	17.45	14.250	15.750	0.750	0.687	L2M-4118
361.95	406.40	22.23	17.45	14.250	16.000	0.875	0.687	L2M-4139
361.95	412.75	25.40	20.62	14.250	16.250	1.000	0.812	L2M-4140
361.95	419.10	28.58	20.62	14.250	16.500	1.125	0.812	L2M-3855
365.12	406.40	20.64	17.45	14.375	16.000	0.813	0.687	L2M-5481
368.30	406.40	19.05	17.45	14.500	16.000	0.750	0.687	L2M-4142
368.30	419.10	25.40	20.62	14.500	16.500	1.000	0.812	L2M-4145
371.47	412.75	20.64	17.45	14.625	16.250	0.813	0.687	L2M-3856
371.47	412.75	20.64	17.45	14.625	16.250	0.813	0.687	L2M-3856
371.47	412.75	20.64	17.45	14.625	16.250	0.813	0.687	L2M-3856
371.47	425.45	26.99	20.62	14.625	16.750	1.063	0.812	L2M-3857
374.65	412.75	19.05	17.45	14.750	16.250	0.750	0.687	L2M-4147
374.65	419.10	22.23	17.45	14.750	16.500	0.875	0.687	L2M-5990
374.65	419.10	22.23	17.45	14.750	16.500	0.875	0.687	L2M-5990
377.82	419.10	20.64	17.45	14.875	16.500	0.813	0.687	L2M-3858
377.82	425.45	23.82	17.45	14.875	16.750	0.938	0.687	L2M-3859
377.82	428.62	25.40	23.79	14.875	16.875	1.000	0.937	L2M-2622



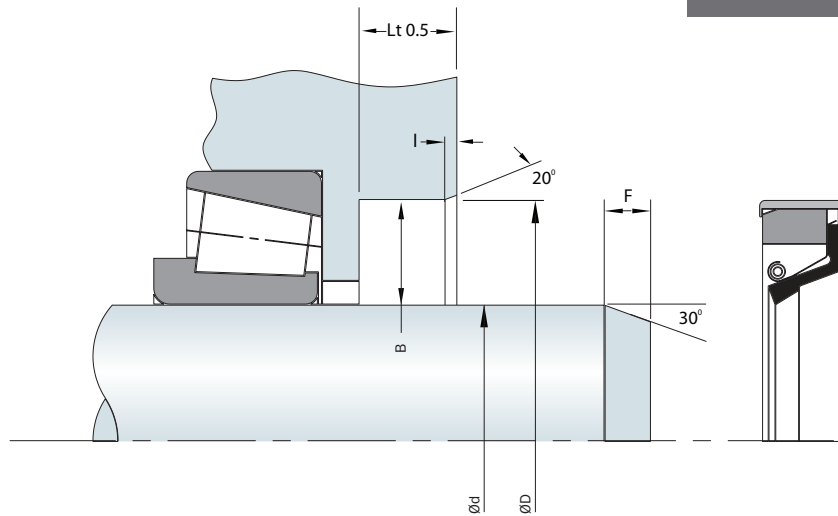
Parts List

Metric				Inch				NBR/FPM
$\varnothing d$	$\varnothing D$	B	L	$\varnothing d$	$\varnothing D$	B	L	
377.82	428.62	25.40	25.40	14.875	16.875	1.000	1.000	L2M-4150
377.82	431.80	26.99	20.62	14.875	17.000	1.063	0.812	L2M-3860
378.61	431.80	26.60	20.62	14.906	17.000	1.047	0.812	L2M-3861
381.00	419.10	19.05	17.45	15.000	16.500	0.750	0.687	L2M-4151
381.00	431.80	25.40	20.62	15.000	17.000	1.000	0.812	L2M-4156
381.00	438.15	28.58	20.62	15.000	17.250	1.125	0.812	L2M-3862
381.00	438.15	28.58	20.62	15.000	17.250	1.125	0.812	L2M-8508
381.00	444.50	31.75	20.62	15.000	17.500	1.250	0.812	L2M-9637
381.00	450.85	34.93	20.62	15.000	17.750	1.375	0.812	L2M-3862
384.17	425.45	20.64	17.45	15.125	16.750	0.813	0.687	L2M-4165
387.35	425.45	19.05	17.45	15.250	16.750	0.750	0.687	L2M-4615
387.35	438.15	25.40	20.62	15.250	17.250	1.000	0.812	L2M-4476
387.35	438.15	25.40	22.22	15.250	17.250	1.000	0.875	L2M-3030
388.92	428.62	19.85	17.45	15.312	16.875	0.781	0.687	L2M-4158
388.92	439.72	25.40	17.45	15.312	17.312	1.000	0.687	L2M-5992
390.00	430.00	20.00	16.00	15.354	16.929	0.787	0.630	L2M-4616
390.11	450.01	29.95	17.45	15.359	17.717	1.179	0.687	L2M-4166
390.52	438.15	23.82	17.45	15.375	17.250	0.938	0.687	L2M-4167
390.52	441.32	25.40	20.62	15.375	17.375	1.000	0.812	L2M-4159
393.70	444.40	25.35	20.62	15.500	17.496	0.998	0.812	L2M-4163
393.70	450.85	28.58	20.62	15.500	17.750	1.125	0.812	L2M-6771
393.70	457.20	31.75	20.62	15.500	18.000	1.250	0.812	L2M-4168
399.99	449.98	25.00	17.45	15.748	17.716	0.984	0.687	L2M-4169
400.00	440.00	20.00	20.00	15.748	17.323	0.787	0.787	L2M-3038
400.05	436.00	17.98	17.45	15.750	17.165	0.708	0.687	L2M-9986
400.05	438.15	19.05	17.45	15.750	17.250	0.750	0.687	L2M-4170
400.05	439.72	19.84	17.45	15.750	17.312	0.781	0.687	L2M-9271
400.05	444.50	22.23	17.45	15.750	17.500	0.875	0.687	L2M-4171
400.05	450.85	25.40	17.45	15.750	17.750	1.000	0.687	L2M-6874
400.05	457.20	28.58	20.62	15.750	18.000	1.125	0.812	L2M-4172



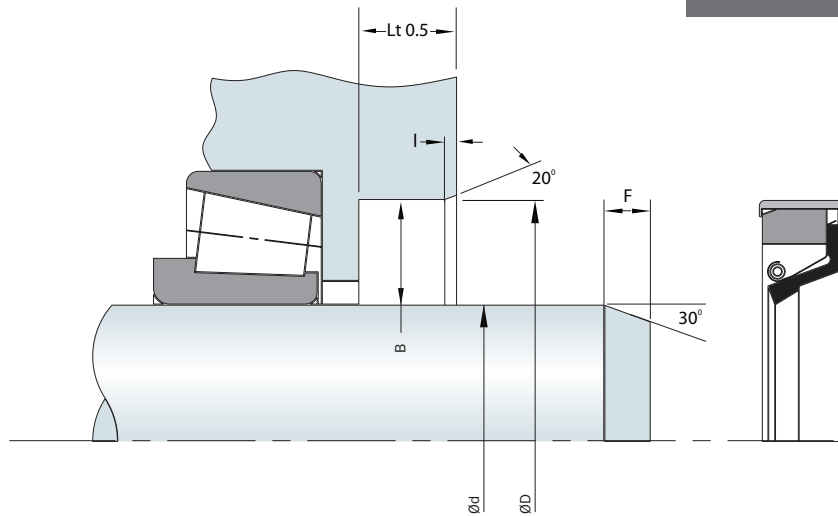
Parts List

Metric				Inch				NBR/FPM
ød	ØD	B	L	ød	ØD	B	L	
400.05	469.90	34.93	25.40	15.750	18.500	1.375	1.000	L2M-4175
403.22	454.02	25.40	20.62	15.875	17.875	1.000	0.812	L2M-4176
406.40	444.50	19.05	17.45	16.000	17.500	0.750	0.687	L2M-4177
406.40	447.67	20.64	17.45	16.000	17.625	0.812	0.687	L2M-4173
406.40	457.20	25.40	20.62	16.000	18.000	1.000	0.812	L2M-4180
406.40	457.20	25.40	22.22	16.000	18.000	1.000	0.875	L2M-5077
406.40	469.90	31.75	20.62	16.000	18.500	1.250	0.812	L2M-5995
412.75	450.85	19.05	17.45	16.250	17.750	0.750	0.687	L2M-4181
412.75	457.20	22.23	17.45	16.250	18.000	0.875	0.687	L2M-8217
412.75	457.20	22.23	19.05	16.250	18.000	0.875	0.750	L2M-4184
412.75	463.55	25.40	17.45	16.250	18.250	1.000	0.687	L2M-9892
412.75	469.90	28.58	20.62	16.250	18.500	1.125	0.812	L2M-4174
415.92	454.02	19.05	17.45	16.375	17.875	0.750	0.687	L2M-4179
419.10	457.20	19.05	17.45	16.500	18.000	0.750	0.687	L2M-9863
419.10	469.90	25.40	17.45	16.500	18.500	1.000	0.687	L2M-4187
419.10	469.90	25.40	20.62	16.500	18.500	1.000	0.812	L2M-4186
419.10	482.60	31.75	20.62	16.500	19.000	1.250	0.812	L2M-4183
419.98	459.99	20.01	17.45	16.535	18.110	0.788	0.687	L2M-8504
419.98	470.00	25.01	17.45	16.535	18.504	0.985	0.687	L2M-8792
419.98	470.00	25.01	22.22	16.535	18.504	0.985	0.875	L2M-1929
420.00	460.00	20.00	20.00	16.535	18.110	0.787	0.787	L2M-3010
425.45	463.55	19.05	17.45	16.750	18.250	0.750	0.687	L2M-3744
425.45	469.90	22.23	17.45	16.750	18.500	0.875	0.687	L2M-8862
425.45	482.60	28.58	20.62	16.750	19.000	1.125	0.812	L2M-3748
430.19	489.99	29.90	20.62	16.937	19.291	1.177	0.812	L2M-9695
431.80	469.90	19.05	17.45	17.000	18.500	0.750	0.687	L2M-4188
431.80	482.60	25.40	20.62	17.000	19.000	1.000	0.812	L2M-4190
431.80	488.95	28.58	20.62	17.000	19.250	1.125	0.812	L2M-4191
431.80	495.30	31.75	20.62	17.000	19.500	1.250	0.812	L2M-3750
438.15	476.25	19.05	17.45	17.250	18.750	0.750	0.687	L2M-3751



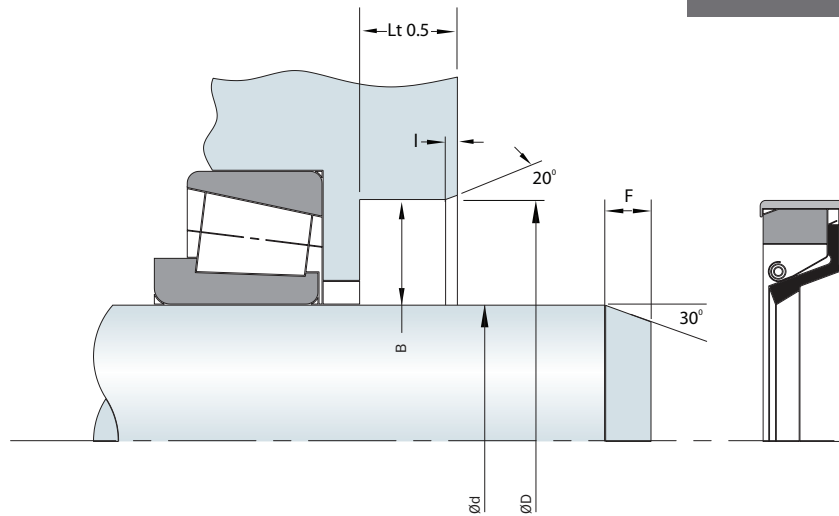
Parts List

Metric				Inch				NBR/FPM
ϕd	ϕD	B	L	ϕd	ϕD	B	L	
438.15	476.25	19.05	19.05	17.250	18.750	0.750	0.750	L2M-6967
440.00	480.00	20.00	20.00	17.323	18.898	0.787	0.787	L2M-4192
444.50	482.60	19.05	17.45	17.500	19.000	0.750	0.687	L2M-4194
444.50	488.95	22.23	17.45	17.500	19.250	0.875	0.687	L2M-5054
444.50	488.95	22.23	25.40	17.500	19.250	0.875	1.000	L2M-3005
444.50	495.30	25.40	17.45	17.500	19.500	1.000	0.687	L2M-4198
444.50	501.65	28.58	20.62	17.500	19.750	1.125	0.812	L2M-4197
447.67	488.95	20.64	17.45	17.625	19.250	0.813	0.687	L2M-4199
447.67	498.47	25.40	17.45	17.625	19.625	1.000	0.687	L2M-6850
450.85	501.65	25.40	20.62	17.750	19.750	1.000	0.812	L2M-4200
450.85	509.98	29.57	22.22	17.750	20.078	1.164	0.875	L2M-9084
454.02	504.82	25.40	20.62	17.875	19.875	1.000	0.812	L2M-4204
454.02	504.82	25.40	20.62	17.875	19.875	1.000	0.812	L2M-4204
457.20	495.30	19.05	17.45	18.000	19.500	0.750	0.687	L2M-4206
457.20	501.65	22.23	17.45	18.000	19.750	0.875	0.687	L2M-5728
457.20	504.82	23.81	17.45	18.000	19.875	0.937	0.687	L2M-4203
457.20	508.00	25.40	19.05	18.000	20.000	1.000	0.750	L2M-4209
457.20	508.00	25.40	22.22	18.000	20.000	1.000	0.875	L2M-4210
457.20	520.70	31.75	22.22	18.000	20.500	1.250	0.875	L2M-3752
457.20	533.40	38.10	22.22	18.000	21.000	1.500	0.875	L2M-3753
460.24	520.70	30.23	22.22	18.120	20.500	1.190	0.875	L2M-3754
460.37	520.70	30.17	22.22	18.125	20.500	1.188	0.875	L2M-3756
463.55	501.65	19.05	17.45	18.250	19.750	0.750	0.687	L2M-3757
463.55	504.82	20.64	17.45	18.250	19.875	0.812	0.687	L2M-3765
466.72	504.82	19.05	17.45	18.375	19.875	0.750	0.687	L2M-4213
466.72	506.39	19.84	17.45	18.375	19.937	0.781	0.687	L2M-7103
466.72	508.00	20.64	19.05	18.375	20.000	0.813	0.750	L2M-4215
466.72	517.52	25.40	20.62	18.375	20.375	1.000	0.812	L2M-6740
466.72	520.70	26.99	19.05	18.375	20.500	1.063	0.750	L2M-3767
469.90	508.00	19.05	17.45	18.500	20.000	0.750	0.687	L2M-3768



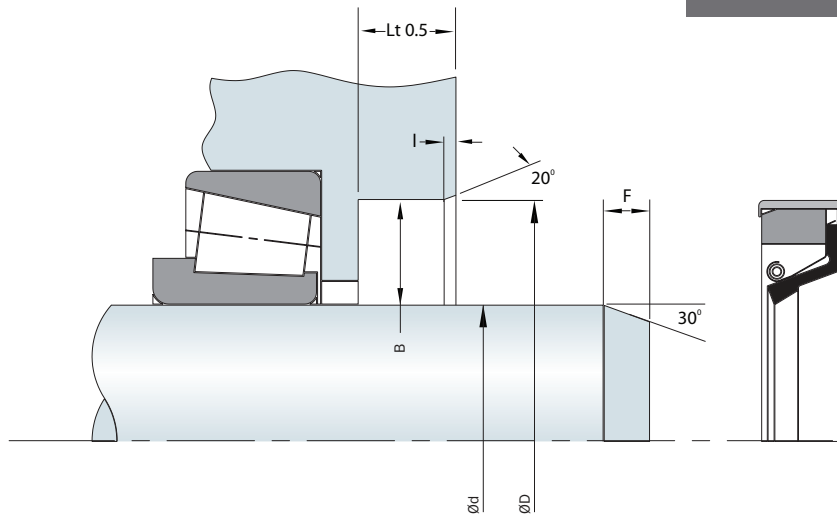
Parts List

Metric				Inch				NBR/FPM
ød	ØD	B	L	ød	ØD	B	L	
469.90	514.35	22.23	17.45	18.500	20.250	0.875	0.687	L2M-3772
469.90	520.70	25.40	22.22	18.500	20.500	1.000	0.875	L2M-4216
470.00	520.00	25.00	22.00	18.504	20.472	0.984	0.866	L2M-3029
480.00	520.00	20.00	20.00	18.898	20.472	0.787	0.787	L2M-7281
482.60	520.70	19.05	19.05	19.000	20.500	0.750	0.750	L2M-4218
482.60	533.40	25.40	22.22	19.000	21.000	1.000	0.875	L2M-4219
482.60	546.10	31.75	22.22	19.000	21.500	1.250	0.875	L2M-3773
485.00	535.00	25.00	19.00	19.094	21.063	0.984	0.748	L2M-4220
488.95	527.05	19.05	19.05	19.250	20.750	0.750	0.750	L2M-4617
488.95	533.40	22.23	19.05	19.250	21.000	0.875	0.750	L2M-3777
488.95	539.75	25.40	19.05	19.250	21.250	1.000	0.750	L2M-5485
492.12	533.40	20.64	19.05	19.375	21.000	0.813	0.750	L2M-3778
495.30	533.40	19.05	19.05	19.500	21.000	0.750	0.750	L2M-3779
495.30	546.10	25.40	22.22	19.500	21.500	1.000	0.875	L2M-4221
495.30	550.87	27.79	22.22	19.500	21.688	1.094	0.875	L2M-3783
500.00	550.00	25.00	19.00	19.685	21.654	0.984	0.748	L2M-4232
501.65	552.45	25.40	22.22	19.750	21.750	1.000	0.875	L2M-4228
501.65	561.97	30.16	22.22	19.750	22.125	1.187	0.875	L2M-7400
501.65	565.15	31.75	22.22	19.750	22.250	1.250	0.875	L2M-3785
504.82	558.80	26.99	22.22	19.875	22.000	1.063	0.875	L2M-3788
506.39	550.84	22.23	15.87	19.937	21.687	0.875	0.625	L2M-4233
506.42	546.10	19.84	19.05	19.938	21.500	0.781	0.750	L2M-3789
508.00	546.10	19.05	19.05	20.000	21.500	0.750	0.750	L2M-4235
508.00	546.10	19.05	19.05	20.000	21.500	0.750	0.750	L2M-4235
508.00	552.45	22.23	19.05	20.000	21.750	0.875	0.750	L2M-4236
508.00	558.80	25.40	22.22	20.000	22.000	1.000	0.875	L2M-4237
508.00	560.00	26.00	25.00	20.000	22.047	1.024	0.984	L2M-4238
508.00	571.50	31.75	22.22	20.000	22.500	1.250	0.875	L2M-3790
511.63	565.15	26.76	22.22	20.143	22.250	1.054	0.875	L2M-3792
513.00	543.00	15.00	16.00	20.197	21.378	0.591	0.630	L2M-9997



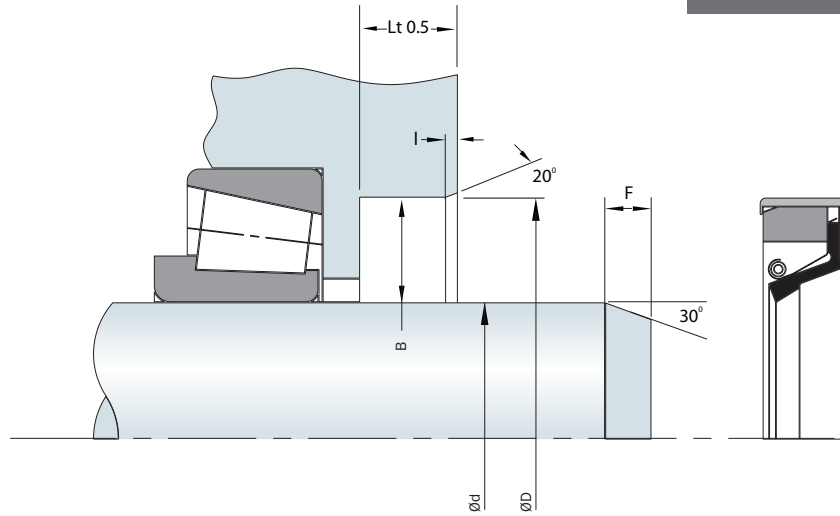
Parts List

Metric				Inch				NBR/FPM
ød	ØD	B	L	ød	ØD	B	L	
514.35	552.45	19.05	19.05	20.250	21.750	0.750	0.750	L2M-4239
514.35	565.02	25.34	22.22	20.250	22.245	0.997	0.875	L2M-8231
514.35	565.15	25.40	22.22	20.250	22.250	1.000	0.875	L2M-4240
514.35	568.32	26.99	19.05	20.250	22.375	1.062	0.750	L2M-4241
514.35	571.50	28.58	22.22	20.250	22.500	1.125	0.875	L2M-8770
519.12	571.50	26.19	20.62	20.438	22.500	1.031	0.812	L2M-4242
520.00	560.00	20.00	18.00	20.472	22.047	0.787	0.709	L2M-3025
520.00	570.00	25.00	22.00	20.472	22.441	0.984	0.866	L2M-3027
520.70	558.80	19.05	19.05	20.500	22.000	0.750	0.750	L2M-4619
520.70	565.15	22.23	20.62	20.500	22.250	0.875	0.812	L2M-4245
520.70	571.50	25.40	22.22	20.500	22.500	1.000	0.875	L2M-4246
520.70	577.85	28.58	22.22	20.500	22.750	1.125	0.875	L2M-6287
523.87	574.67	25.40	20.62	20.625	22.625	1.000	0.812	L2M-9893
527.05	577.85	25.40	22.22	20.750	22.750	1.000	0.875	L2M-4248
527.05	584.20	28.58	20.62	20.750	23.000	1.125	0.812	L2M-4243
529.99	580.03	25.02	20.62	20.866	22.836	0.985	0.812	L2M-4244
530.22	581.02	25.40	22.22	20.875	22.875	1.000	0.875	L2M-4250
530.22	589.99	29.89	22.22	20.875	23.228	1.177	0.875	L2M-6417
533.40	571.50	19.05	19.05	21.000	22.500	0.750	0.750	L2M-5259
533.40	577.85	22.23	19.05	21.000	22.750	0.875	0.750	L2M-5312
533.40	584.20	25.40	20.62	21.000	23.000	1.000	0.812	L2M-6535
533.40	584.20	25.40	22.22	21.000	23.000	1.000	0.875	L2M-4253
533.40	590.55	28.58	20.62	21.000	23.250	1.125	0.812	L2M-4251
533.40	596.90	31.75	22.22	21.000	23.500	1.250	0.875	L2M-9772
539.75	584.20	22.23	19.05	21.250	23.000	0.875	0.750	L2M-4255
539.75	590.55	25.40	22.22	21.250	23.250	1.000	0.875	L2M-4254
540.00	589.99	25.00	24.98	21.260	23.228	0.984	0.983	L2M-7393
544.49	588.94	22.23	19.05	21.437	23.187	0.875	0.750	L2M-4256
546.10	590.55	22.23	19.05	21.500	23.250	0.875	0.750	L2M-4257
546.10	596.90	25.40	20.62	21.500	23.500	1.000	0.812	L2M-7407



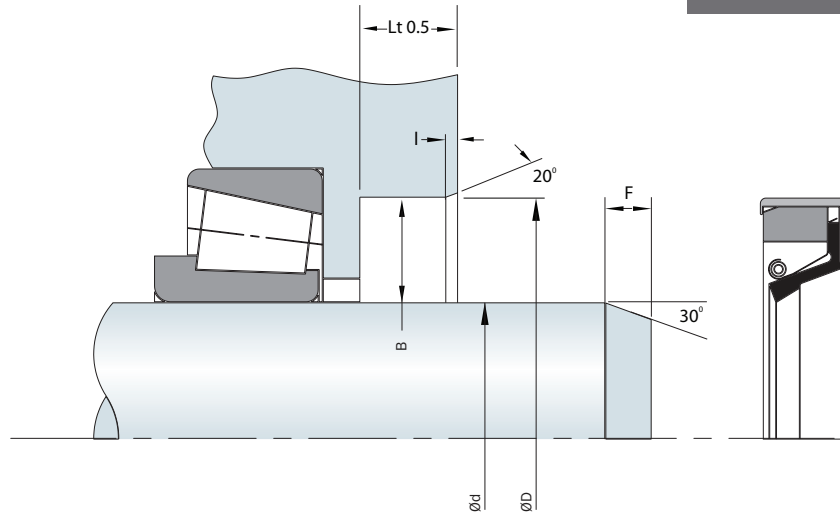
Parts List

Metric				Inch				NBR/FPM
$\varnothing d$	$\varnothing D$	B	L	$\varnothing d$	$\varnothing D$	B	L	
546.10	596.90	25.40	22.22	21.500	23.500	1.000	0.875	L2M-4259
546.10	600.07	26.99	22.22	21.500	23.625	1.062	0.875	L2M-6493
546.10	609.60	31.75	22.22	21.500	24.000	1.250	0.875	L2M-6779
549.27	593.72	22.23	19.05	21.625	23.375	0.875	0.750	L2M-4261
549.27	600.07	25.40	22.22	21.625	23.625	1.000	0.875	L2M-4263
552.45	590.55	19.05	19.05	21.750	23.250	0.750	0.750	L2M-4621
552.45	603.25	25.40	22.22	21.750	23.750	1.000	0.875	L2M-4265
552.45	609.60	28.58	22.22	21.750	24.000	1.125	0.875	L2M-5276
552.45	615.95	31.75	22.22	21.750	24.250	1.250	0.875	L2M-8675
552.45	622.30	34.93	22.22	21.750	24.500	1.375	0.875	L2M-4260
552.45	628.65	38.10	22.22	21.750	24.750	1.500	0.875	L2M-4262
558.80	596.90	19.05	19.05	22.000	23.500	0.750	0.750	L2M-4269
558.80	609.60	25.40	22.22	22.000	24.000	1.000	0.875	L2M-4270
558.80	615.95	28.58	20.62	22.000	24.250	1.125	0.812	L2M-9082
558.80	615.95	28.58	22.22	22.000	24.250	1.125	0.875	L2M-3763
558.80	622.30	31.75	22.22	22.000	24.500	1.250	0.875	L2M-6295
560.00	610.00	25.00	20.00	22.047	24.016	0.984	0.787	L2M-7266
565.00	601.00	18.00	20.00	22.244	23.661	0.709	0.787	L2M-9995
565.15	615.95	25.40	22.22	22.250	24.250	1.000	0.875	L2M-3764
568.32	615.95	23.82	19.05	22.375	24.250	0.938	0.750	L2M-4268
568.32	619.12	25.40	19.05	22.375	24.375	1.000	0.750	L2M-6999
568.32	619.12	25.40	22.22	22.375	24.375	1.000	0.875	L2M-2576
569.89	609.60	19.86	19.05	22.437	24.000	0.782	0.750	L2M-4275
569.89	615.95	23.03	19.05	22.437	24.250	0.907	0.750	L2M-4276
569.89	620.69	25.40	19.05	22.437	24.437	1.000	0.750	L2M-6480
569.89	620.69	25.40	22.22	22.437	24.437	1.000	0.875	L2M-1915
569.89	622.30	26.21	19.05	22.437	24.500	1.032	0.750	L2M-9840
571.50	609.60	19.05	19.05	22.500	24.000	0.750	0.750	L2M-4271
571.50	609.60	19.05	19.05	22.500	24.000	0.750	0.750	L2M-4271
571.50	615.95	22.23	19.05	22.500	24.250	0.875	0.750	L2M-4272



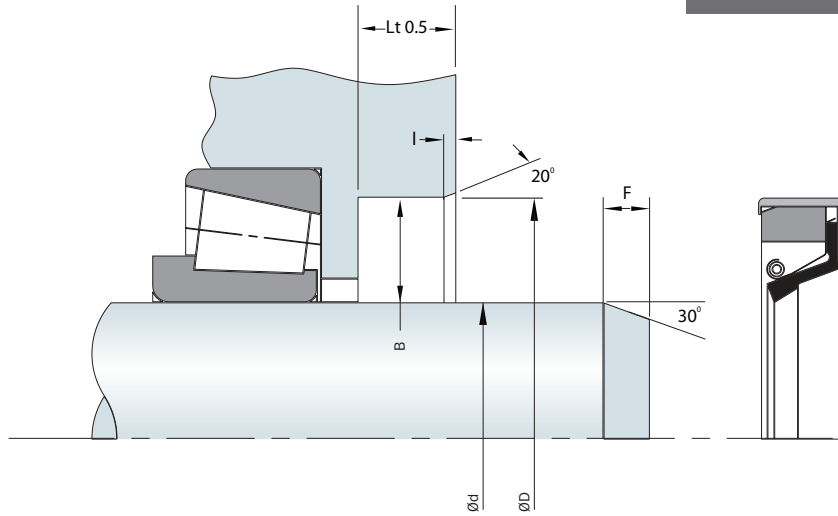
Parts List

Metric				Inch				NBR/FPM
ϕd	$\text{Ø}D$	B	L	ϕd	$\text{Ø}D$	B	L	
571.50	622.30	25.40	22.22	22.500	24.500	1.000	0.875	L2M-4279
571.50	628.65	28.58	22.22	22.500	24.750	1.125	0.875	L2M-4273
571.50	635.00	31.75	22.22	22.500	25.000	1.250	0.875	L2M-4274
577.85	628.65	25.40	22.22	22.750	24.750	1.000	0.875	L2M-4281
577.85	635.00	28.58	22.22	22.750	25.000	1.125	0.875	L2M-6843
584.20	622.30	19.05	19.05	23.000	24.500	0.750	0.750	L2M-4283
584.20	628.65	22.23	19.05	23.000	24.750	0.875	0.750	L2M-5421
584.20	635.00	25.40	22.22	23.000	25.000	1.000	0.875	L2M-4284
584.20	644.52	30.16	22.22	23.000	25.375	1.187	0.875	L2M-4277
584.20	647.70	31.75	22.22	23.000	25.500	1.250	0.875	L2M-4285
590.55	635.00	22.23	19.05	23.250	25.000	0.875	0.750	L2M-4286
590.55	641.35	25.40	19.05	23.250	25.250	1.000	0.750	L2M-9371
590.55	641.35	25.40	20.62	23.250	25.250	1.000	0.812	L2M-6910
593.72	644.52	25.40	22.22	23.375	25.375	1.000	0.875	L2M-4287
596.90	626.90	15.00	15.00	23.500	24.681	0.591	0.591	L2M-3033
596.90	626.90	15.00	15.00	23.500	24.681	0.591	0.591	L2M-3033
596.90	641.35	22.23	19.05	23.500	25.250	0.875	0.750	L2M-5547
596.90	647.70	25.40	22.22	23.500	25.500	1.000	0.875	L2M-4288
598.47	641.35	21.44	19.05	23.562	25.250	0.844	0.750	L2M-4290
598.47	644.52	23.03	19.05	23.562	25.375	0.906	0.750	L2M-4291
600.00	640.00	20.00	20.00	23.622	25.197	0.787	0.787	L2M-3008
600.00	640.00	20.00	20.00	23.622	25.197	0.787	0.787	L2M-8624
600.07	660.40	30.17	22.22	23.625	26.000	1.188	0.875	L2M-4292
603.25	641.35	19.05	25.40	23.750	25.250	0.750	1.000	L2M-6239
606.42	660.40	26.99	22.22	23.875	26.000	1.063	0.875	L2M-4293
609.60	647.70	19.05	19.05	24.000	25.500	0.750	0.750	L2M-4623
609.60	660.40	25.40	19.05	24.000	26.000	1.000	0.750	L2M-9988
609.60	660.40	25.40	20.62	24.000	26.000	1.000	0.812	L2M-4295
609.60	660.40	25.40	22.22	24.000	26.000	1.000	0.875	L2M-4294
609.60	666.75	28.58	22.22	24.000	26.250	1.125	0.875	L2M-6293



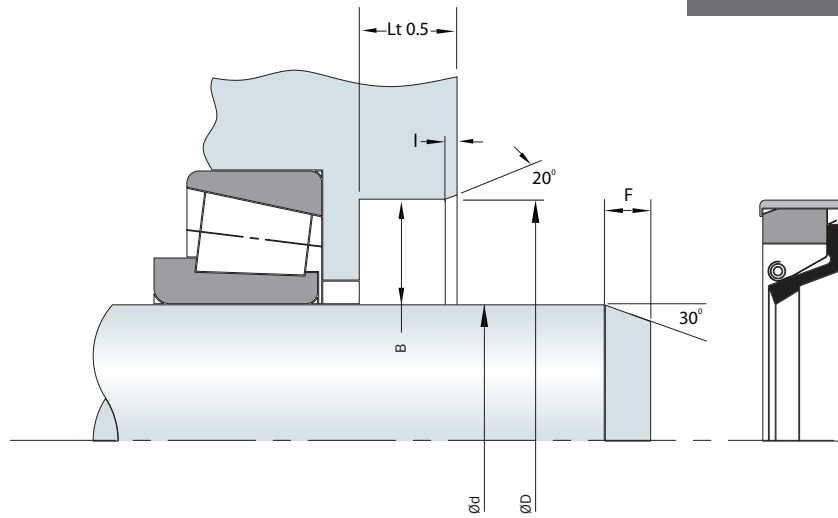
Parts List

Metric				Inch				NBR/FPM
$\varnothing d$	$\varnothing D$	B	L	$\varnothing d$	$\varnothing D$	B	L	
609.60	673.10	31.75	22.22	24.000	26.500	1.250	0.875	L2M-4297
609.60	685.80	38.10	22.22	24.000	27.000	1.500	0.875	L2M-5644
615.95	666.75	25.40	22.22	24.250	26.250	1.000	0.875	L2M-4301
615.95	666.75	25.40	22.22	24.250	26.250	1.000	0.875	L2M-4301
615.95	666.75	25.40	25.40	24.250	26.250	1.000	1.000	L2M-3770
620.69	660.40	19.86	19.05	24.437	26.000	0.782	0.750	L2M-4302
620.69	671.49	25.40	19.05	24.437	26.437	1.000	0.750	L2M-4304
620.69	684.15	31.73	25.40	24.437	26.935	1.249	1.000	L2M-9990
622.30	673.10	25.40	22.22	24.500	26.500	1.000	0.875	L2M-4305
630.00	670.00	20.00	20.00	24.803	26.378	0.787	0.787	L2M-3020
635.00	673.10	19.05	19.05	25.000	26.500	0.750	0.750	L2M-4308
635.00	673.10	19.05	19.05	25.000	26.500	0.750	0.750	L2M-4308
635.00	685.80	25.40	22.22	25.000	27.000	1.000	0.875	L2M-3774
635.00	685.80	25.40	25.40	25.000	27.000	1.000	1.000	L2M-4309
635.00	692.15	28.58	22.22	25.000	27.250	1.125	0.875	L2M-6421
635.00	698.05	31.53	22.22	25.000	27.482	1.241	0.875	L2M-5997
639.74	682.62	21.44	19.05	25.187	26.875	0.844	0.750	L2M-4311
639.74	684.19	22.23	19.05	25.187	26.937	0.875	0.750	L2M-5994
640.00	680.00	20.00	20.00	25.197	26.772	0.787	0.787	L2M-3019
641.35	692.15	25.40	19.05	25.250	27.250	1.000	0.750	L2M-4299
647.70	679.45	15.88	19.05	25.500	26.750	0.625	0.750	L2M-3022
647.70	685.80	19.05	22.22	25.500	27.000	0.750	0.875	L2M-4300
647.70	698.50	25.40	22.22	25.500	27.500	1.000	0.875	L2M-4318
650.00	714.00	32.00	25.00	25.591	28.110	1.260	0.984	L2M-3016
654.05	698.50	22.23	19.05	25.750	27.500	0.875	0.750	L2M-6998
657.22	711.20	26.99	22.22	25.875	28.000	1.063	0.875	L2M-4303
660.09	701.67	20.79	19.05	25.988	27.625	0.819	0.750	L2M-4306
660.40	701.67	20.64	19.05	26.000	27.625	0.812	0.750	L2M-5921
660.40	711.20	25.40	22.22	26.000	28.000	1.000	0.875	L2M-4325
660.40	714.37	26.99	22.22	26.000	28.125	1.062	0.875	L2M-9402



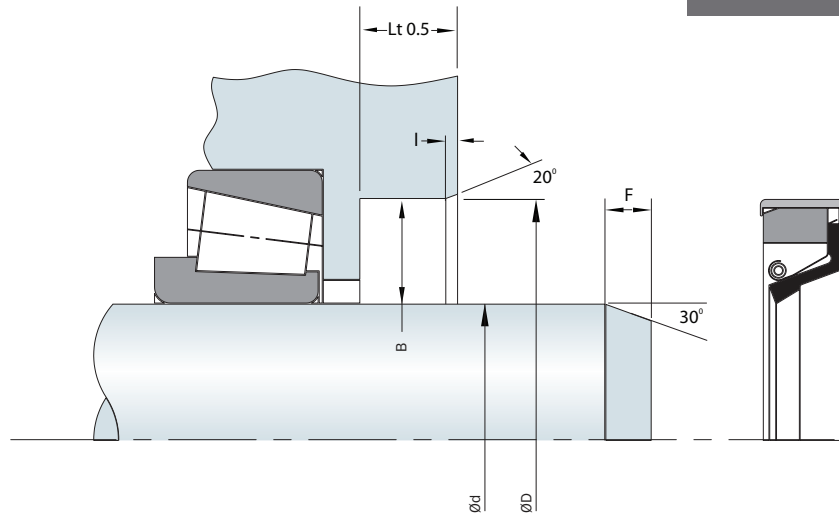
Parts List

Metric				Inch				NBR/FPM
ϕd	ϕD	B	L	ϕd	ϕD	B	L	
660.40	723.90	31.75	22.22	26.000	28.500	1.250	0.875	L2M-4794
663.57	701.67	19.05	19.05	26.125	27.625	0.750	0.750	L2M-4329
663.57	714.37	25.40	22.22	26.125	28.125	1.000	0.875	L2M-4330
668.00	706.00	19.00	25.40	26.299	27.795	0.748	1.000	L2M-9992
669.92	715.97	23.03	22.22	26.375	28.188	0.906	0.875	L2M-4307
669.92	717.55	23.82	22.22	26.375	28.250	0.938	0.875	L2M-4312
673.10	711.20	19.05	19.05	26.500	28.000	0.750	0.750	L2M-4533
673.10	723.90	25.40	22.22	26.500	28.500	1.000	0.875	L2M-4313
685.80	736.60	25.40	22.22	27.000	29.000	1.000	0.875	L2M-4333
685.80	736.60	25.40	22.22	27.000	29.000	1.000	0.875	L2M-4333
685.80	749.30	31.75	22.22	27.000	29.500	1.250	0.875	L2M-8031
685.80	762.00	38.10	22.22	27.000	30.000	1.500	0.875	L2M-9984
692.15	742.95	25.40	22.22	27.250	29.250	1.000	0.875	L2M-4626
698.50	736.60	19.05	19.05	27.500	29.000	0.750	0.750	L2M-4315
698.50	749.30	25.40	22.22	27.500	29.500	1.000	0.875	L2M-4339
698.50	749.30	25.40	22.22	27.500	29.500	1.000	0.875	L2M-4339
698.50	763.60	32.55	19.05	27.500	30.063	1.281	0.750	L2M-3046
701.67	752.47	25.40	19.05	27.625	29.625	1.000	0.750	L2M-5001
701.70	749.30	23.80	19.05	27.626	29.500	0.937	0.750	L2M-4336
708.02	757.22	24.60	22.22	27.875	29.812	0.969	0.875	L2M-4341
711.20	749.30	19.05	19.05	28.000	29.500	0.750	0.750	L2M-4343
711.20	752.47	20.64	19.05	28.000	29.625	0.812	0.750	L2M-7828
711.20	757.25	23.03	19.05	28.000	29.813	0.906	0.750	L2M-4316
711.20	762.00	25.40	22.22	28.000	30.000	1.000	0.875	L2M-4344
711.20	768.35	28.58	20.62	28.000	30.250	1.125	0.812	L2M-4320
711.20	774.70	31.75	22.22	28.000	30.500	1.250	0.875	L2M-3878
711.20	787.40	38.10	22.22	28.000	31.000	1.500	0.875	L2M-5998
722.32	787.40	32.54	22.22	28.438	31.000	1.281	0.875	L2M-4321
723.90	774.70	25.40	22.22	28.500	30.500	1.000	0.875	L2M-4346
723.90	787.40	31.75	22.22	28.500	31.000	1.250	0.875	L2M-4534



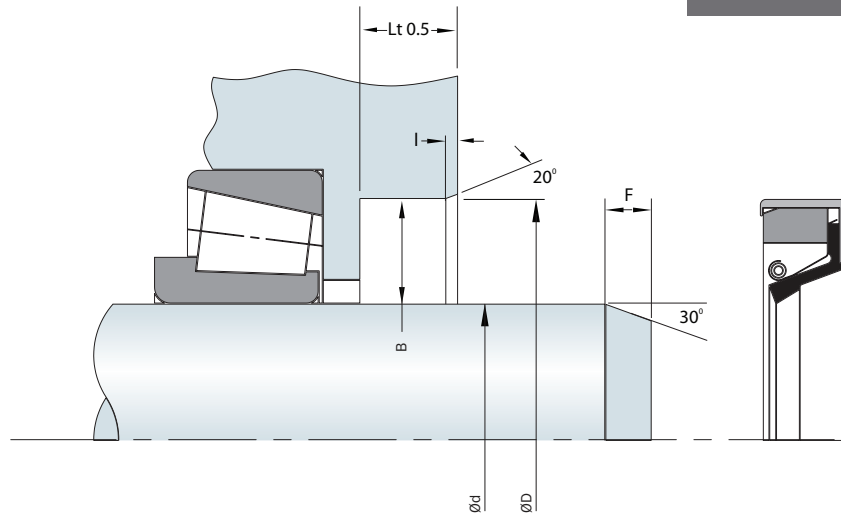
Parts List

Metric				Inch				NBR/FPM
$\varnothing d$	$\varnothing D$	B	L	$\varnothing d$	$\varnothing D$	B	L	
730.25	781.05	25.40	22.22	28.750	30.750	1.000	0.875	L2M-4628
730.25	781.05	25.40	22.22	28.750	30.750	1.000	0.875	L2M-4628
730.25	781.05	25.40	22.22	28.750	30.750	1.000	0.875	L2M-4628
736.60	774.70	19.05	19.05	29.000	30.500	0.750	0.750	L2M-4347
736.60	787.40	25.40	22.22	29.000	31.000	1.000	0.875	L2M-4348
736.60	800.10	31.75	25.40	29.000	31.500	1.250	1.000	L2M-8793
736.60	812.80	38.10	22.22	29.000	32.000	1.500	0.875	L2M-4537
749.30	800.10	25.40	22.22	29.500	31.500	1.000	0.875	L2M-4352
749.30	800.10	25.40	25.40	29.500	31.500	1.000	1.000	L2M-3791
749.30	812.80	31.75	22.22	29.500	32.000	1.250	0.875	L2M-4538
749.30	819.15	34.93	22.22	29.500	32.250	1.375	0.875	L2M-4322
749.30	825.50	38.10	22.22	29.500	32.500	1.500	0.875	L2M-4539
750.00	814.00	32.00	25.00	29.528	32.047	1.260	0.984	L2M-4629
760.00	804.00	22.00	18.00	29.921	31.654	0.866	0.709	L2M-3037
762.00	800.10	19.05	19.05	30.000	31.500	0.750	0.750	L2M-4356
762.00	803.04	20.52	19.05	30.000	31.616	0.808	0.750	L2M-5000
762.00	803.27	20.64	19.05	30.000	31.625	0.812	0.750	L2M-7870
762.00	812.80	25.40	22.22	30.000	32.000	1.000	0.875	L2M-4357
762.00	819.15	28.58	22.22	30.000	32.250	1.125	0.875	L2M-4323
762.00	825.50	31.75	22.22	30.000	32.500	1.250	0.875	L2M-4358
762.00	825.50	31.75	25.40	30.000	32.500	1.250	1.000	L2M-3797
762.00	831.85	34.93	22.22	30.000	32.750	1.375	0.875	L2M-4359
762.00	838.20	38.10	22.22	30.000	33.000	1.500	0.875	L2M-4360
768.35	825.50	28.58	22.22	30.250	32.500	1.125	0.875	L2M-4906
769.92	822.32	26.20	22.22	30.312	32.375	1.031	0.875	L2M-4361
774.70	825.50	25.40	22.22	30.500	32.500	1.000	0.875	L2M-4365
774.70	838.20	31.75	22.22	30.500	33.000	1.250	0.875	L2M-8577
774.70	850.90	38.10	22.22	30.500	33.500	1.500	0.875	L2M-8230
780.00	844.00	32.00	25.00	30.709	33.228	1.260	0.984	L2M-3032
787.40	825.50	19.05	19.05	31.000	32.500	0.750	0.750	L2M-5739



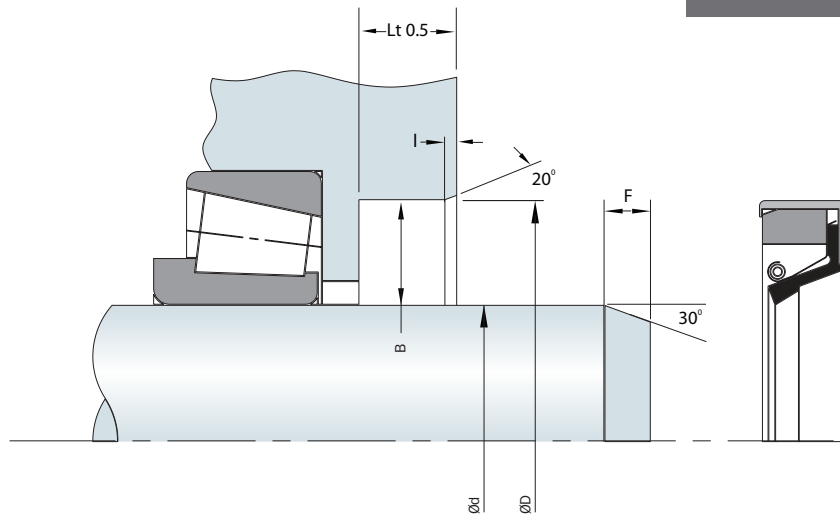
Parts List

Metric				Inch				NBR/FPM
ød	ØD	B	L	ød	ØD	B	L	
787.40	838.20	25.40	22.22	31.000	33.000	1.000	0.875	L2M-4367
787.40	838.20	25.40	22.22	31.000	33.000	1.000	0.875	L2M-4367
787.40	850.90	31.75	22.22	31.000	33.500	1.250	0.875	L2M-4540
787.40	863.60	38.10	22.22	31.000	34.000	1.500	0.875	L2M-4541
790.00	854.00	32.00	25.00	31.102	33.622	1.260	0.984	L2M-6666
793.75	831.85	19.05	19.05	31.250	32.750	0.750	0.750	L2M-4631
793.75	844.55	25.40	19.05	31.250	33.250	1.000	0.750	L2M-5033
806.45	857.25	25.40	22.22	31.750	33.750	1.000	0.875	L2M-5016
812.80	850.90	19.05	19.05	32.000	33.500	0.750	0.750	L2M-3023
812.80	850.90	19.05	19.05	32.000	33.500	0.750	0.750	L2M-3023
812.80	863.60	25.40	22.22	32.000	34.000	1.000	0.875	L2M-4632
812.80	863.60	25.40	22.22	32.000	34.000	1.000	0.875	L2M-4632
812.80	876.30	31.75	22.22	32.000	34.500	1.250	0.875	L2M-8407
815.97	866.77	25.40	22.22	32.125	34.125	1.000	0.875	L2M-4371
815.97	879.47	31.75	22.22	32.125	34.625	1.250	0.875	L2M-7537
815.98	866.77	25.40	19.05	32.125	34.125	1.000	0.750	L2M-3002
820.72	876.30	27.79	22.22	32.312	34.500	1.094	0.875	L2M-4373
825.50	876.30	25.40	22.22	32.500	34.500	1.000	0.875	L2M-4377
831.85	869.95	19.05	19.05	32.750	34.250	0.750	0.750	L2M-4542
831.85	889.00	28.58	22.22	32.750	35.000	1.125	0.875	L2M-8289
837.00	889.00	26.00	22.22	32.953	35.000	1.024	0.875	L2M-3009
838.10	881.00	21.45	20.00	32.996	34.685	0.844	0.787	L2M-4380
838.20	876.30	19.05	19.05	33.000	34.500	0.750	0.750	L2M-4381
838.20	879.47	20.64	19.05	33.000	34.625	0.812	0.750	L2M-6787
838.20	880.10	20.95	20.00	33.000	34.650	0.825	0.787	L2M-4634
838.20	881.04	21.42	19.05	33.000	34.687	0.843	0.750	L2M-6152
838.20	889.00	25.40	22.22	33.000	35.000	1.000	0.875	L2M-4382
838.20	889.00	25.40	22.22	33.000	35.000	1.000	0.875	L2M-4382
838.20	895.35	28.58	22.22	33.000	35.250	1.125	0.875	L2M-4326
838.20	901.70	31.75	22.22	33.000	35.500	1.250	0.875	L2M-4544



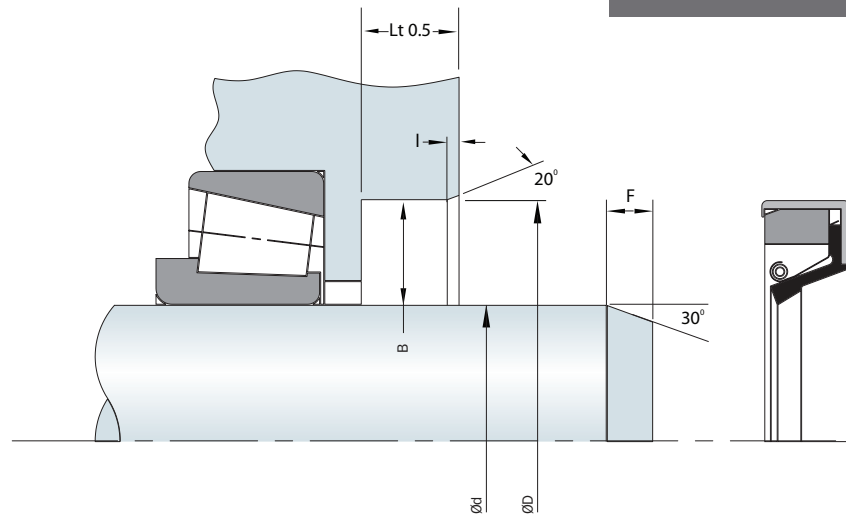
Parts List

Metric				Inch				NBR/FPM
ød	ØD	B	L	ød	ØD	B	L	
840.00	904.00	32.00	25.00	33.071	35.591	1.260	0.984	L2M-3034
850.90	889.00	19.05	22.22	33.500	35.000	0.750	0.875	L2M-9504
850.90	901.70	25.40	22.22	33.500	35.500	1.000	0.875	L2M-4389
850.90	904.87	26.99	22.22	33.500	35.625	1.062	0.875	L2M-4327
850.90	904.87	26.99	22.22	33.500	35.625	1.062	0.875	L2M-4548
850.90	908.05	28.58	22.22	33.500	35.750	1.125	0.875	L2M-4549
850.90	914.40	31.75	22.22	33.500	36.000	1.250	0.875	L2M-4550
850.90	924.99	37.05	22.22	33.500	36.417	1.458	0.875	L2M-4552
854.07	904.87	25.40	22.22	33.625	35.625	1.000	0.875	L2M-4328
863.60	904.87	20.64	22.22	34.000	35.625	0.812	0.875	L2M-4331
863.60	914.40	25.40	22.22	34.000	36.000	1.000	0.875	L2M-4399
863.60	927.10	31.75	22.22	34.000	36.500	1.250	0.875	L2M-4400
863.60	939.80	38.10	22.22	34.000	37.000	1.500	0.875	L2M-4332
869.95	914.40	22.23	19.05	34.250	36.000	0.875	0.750	L2M-3017
869.95	920.75	25.40	22.22	34.250	36.250	1.000	0.875	L2M-4401
869.95	933.45	31.75	22.22	34.250	36.750	1.250	0.875	L2M-4335
869.95	952.50	41.28	22.22	34.250	37.500	1.625	0.875	L2M-4338
876.30	914.40	19.05	19.05	34.500	36.000	0.750	0.750	L2M-6908
876.30	927.10	25.40	22.22	34.500	36.500	1.000	0.875	L2M-4405
876.30	927.10	25.40	22.22	34.500	36.500	1.000	0.875	L2M-4405
876.30	927.10	25.40	25.40	34.500	36.500	1.000	1.000	L2M-3021
876.30	952.50	38.10	22.22	34.500	37.500	1.500	0.875	L2M-4338
882.65	933.45	25.40	22.22	34.750	36.750	1.000	0.875	L2M-3831
889.00	939.80	25.40	22.22	35.000	37.000	1.000	0.875	L2M-3835
889.00	952.50	31.75	22.22	35.000	37.500	1.250	0.875	L2M-3836
889.00	965.20	38.10	22.22	35.000	38.000	1.500	0.875	L2M-3837
895.35	946.15	25.40	22.22	35.250	37.250	1.000	0.875	L2M-4416
895.35	971.55	38.10	20.62	35.250	38.250	1.500	0.812	L2M-4647
898.52	949.32	25.40	22.22	35.375	37.375	1.000	0.875	L2M-4417
900.09	980.00	39.96	22.22	35.437	38.583	1.573	0.875	L2M-9079



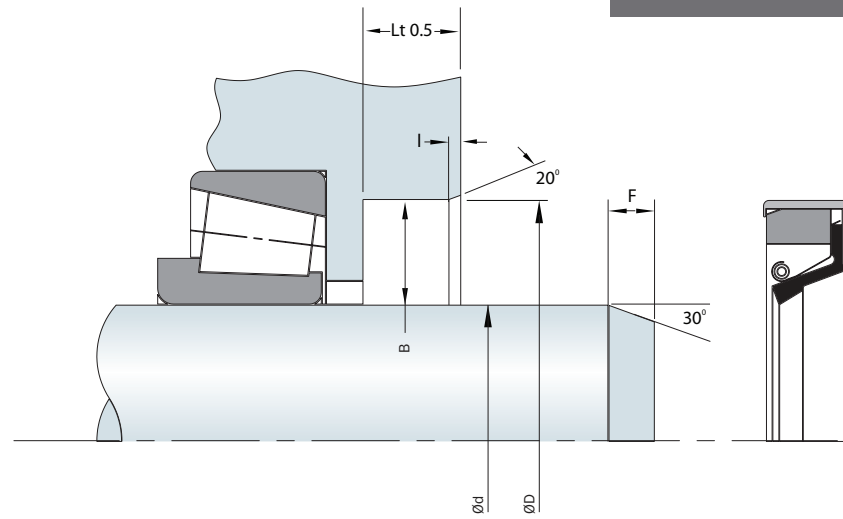
Parts List

Metric				Inch				NBR/FPM
ød	ØD	B	L	ød	ØD	B	L	
901.60	965.10	31.75	25.00	35.496	37.996	1.250	0.984	L2M-3001
901.70	952.50	25.40	22.22	35.500	37.500	1.000	0.875	L2M-4553
910.00	967.15	28.58	17.45	35.827	38.077	1.125	0.687	L2M-3003
914.40	965.20	25.40	22.22	36.000	38.000	1.000	0.875	L2M-4421
914.40	965.20	25.40	22.22	36.000	38.000	1.000	0.875	L2M-4421
914.40	977.90	31.75	25.40	36.000	38.500	1.250	1.000	L2M-9993
919.98	958.01	19.02	19.05	36.220	37.717	0.749	0.750	L2M-7770
927.10	965.20	19.05	19.05	36.500	38.000	0.750	0.750	L2M-4429
927.10	977.90	25.40	22.22	36.500	38.500	1.000	0.875	L2M-4430
930.00	980.00	25.00	22.22	36.614	38.583	0.984	0.875	L2M-3026
933.45	984.25	25.40	22.22	36.750	38.750	1.000	0.875	L2M-4432
933.45	996.95	31.75	22.22	36.750	39.250	1.250	0.875	L2M-7428
939.80	990.60	25.40	22.22	37.000	39.000	1.000	0.875	L2M-4434
946.15	996.95	25.40	22.22	37.250	39.250	1.000	0.875	L2M-4436
949.30	1003.30	27.00	22.22	37.374	39.500	1.063	0.875	L2M-4425
950.89	1003.30	26.21	22.22	37.437	39.500	1.032	0.875	L2M-3847
952.50	990.60	19.05	19.05	37.500	39.000	0.750	0.750	L2M-9411
952.50	1003.30	25.40	22.22	37.500	39.500	1.000	0.875	L2M-4438
965.20	1003.30	19.05	19.05	38.000	39.500	0.750	0.750	L2M-3004
965.20	1003.30	19.05	19.05	38.000	39.500	0.750	0.750	L2M-3004
965.20	1016.00	25.40	22.22	38.000	40.000	1.000	0.875	L2M-4448
965.20	1016.00	25.40	22.22	38.000	40.000	1.000	0.875	L2M-4448
965.20	1041.40	38.10	22.22	38.000	41.000	1.500	0.875	L2M-4340
971.55	1022.35	25.40	22.22	38.250	40.250	1.000	0.875	L2M-4454
971.55	1035.05	31.75	22.22	38.250	40.750	1.250	0.875	L2M-4567
971.55	1047.75	38.10	22.22	38.250	41.250	1.500	0.875	L2M-4569
971.75	1035.05	31.65	22.22	38.258	40.750	1.246	0.875	L2M-4342
974.29	1035.05	30.38	22.22	38.358	40.750	1.196	0.875	L2M-4342
977.90	1041.40	31.75	22.22	38.500	41.000	1.250	0.875	L2M-4349
984.25	1035.05	25.40	22.22	38.750	40.750	1.000	0.875	L2M-4456



Parts List

Metric				Inch				NBR/FPM
ød	ØD	B	L	ød	ØD	B	L	
984.25	1041.40	28.58	22.22	38.750	41.000	1.125	0.875	L2M-4570
988.99	1041.40	26.21	22.22	38.937	41.000	1.032	0.875	L2M-4462
990.00	1040.00	25.00	25.00	38.976	40.945	0.984	0.984	L2M-9998
990.60	1041.40	25.40	22.22	39.000	41.000	1.000	0.875	L2M-4465
990.60	1054.10	31.75	22.22	39.000	41.500	1.250	0.875	L2M-4350
990.60	1073.15	41.28	22.22	39.000	42.250	1.625	0.875	L2M-4577
999.99	1049.98	25.00	22.22	39.370	41.338	0.984	0.875	L2M-1073
1009.65	1073.15	31.75	22.22	39.750	42.250	1.250	0.875	L2M-7538
1016.00	1066.80	25.40	22.22	40.000	42.000	1.000	0.875	L2M-4467
1016.00	1079.50	31.75	22.22	40.000	42.500	1.250	0.875	L2M-8791
1016.00	1079.50	31.75	25.40	40.000	42.500	1.250	1.000	L2M-8599
1028.70	1079.50	25.40	22.22	40.500	42.500	1.000	0.875	L2M-4468
1028.70	1092.20	31.75	22.22	40.500	43.000	1.250	0.875	L2M-7300
1028.70	1092.70	32.00	22.22	40.500	43.020	1.260	0.875	L2M-1964
1054.10	1104.90	25.40	22.22	41.500	43.500	1.000	0.875	L2M-4635
1055.00	1100.00	22.50	25.00	41.535	43.307	0.886	0.984	L2M-3012
1063.62	1104.90	20.64	25.40	41.875	43.500	0.813	1.000	L2M-8628
1073.10	1123.90	25.40	25.40	42.248	44.248	1.000	1.000	L2M-4470
1079.50	1123.95	22.23	22.22	42.500	44.250	0.875	0.875	L2M-5555
1079.50	1143.00	31.75	22.22	42.500	45.000	1.250	0.875	L2M-4473
1079.50	1155.70	38.10	22.22	42.500	45.500	1.500	0.875	L2M-6269
1092.20	1155.70	31.75	22.22	43.000	45.500	1.250	0.875	L2M-7189
1092.20	1155.70	31.75	25.40	43.000	45.500	1.250	1.000	L2M-9994
1092.20	1155.70	31.75	25.40	43.000	45.500	1.250	1.000	L2M-9994
1104.90	1155.70	25.40	22.22	43.500	45.500	1.000	0.875	L2M-4637
1105.00	1160.00	27.50	22.00	43.504	45.669	1.083	0.866	L2M-4640
1111.25	1162.05	25.40	22.22	43.750	45.750	1.000	0.875	L2M-4638
1117.60	1168.40	25.40	22.22	44.000	46.000	1.000	0.875	L2M-7087
1117.60	1181.10	31.75	22.22	44.000	46.500	1.250	0.875	L2M-4475
1117.60	1181.10	31.75	22.22	44.000	46.500	1.250	0.875	L2M-4475



Parts List

Metric				Inch				NBR/FPM
ød	ØD	B	L	ød	ØD	B	L	
1117.60	1181.10	31.75	25.40	44.000	46.500	1.250	1.000	L2M-3024
1130.30	1168.40	19.05	19.05	44.500	46.000	0.750	0.750	L2M-4563
1143.00	1184.27	20.64	25.40	45.000	46.625	0.812	1.000	L2M-8903
1168.50	1206.50	19.00	19.05	46.004	47.500	0.748	0.750	L2M-3006
1168.50	1206.50	19.00	19.05	46.004	47.500	0.748	0.750	L2M-3006
1181.10	1231.90	25.40	22.22	46.500	48.500	1.000	0.875	L2M-4578
1189.99	1240.00	25.01	22.22	46.850	48.819	0.984	0.875	L2M-8317
1219.20	1270.00	25.40	22.22	48.000	50.000	1.000	0.875	L2M-8579
1225.55	1276.35	25.40	22.22	48.250	50.250	1.000	0.875	L2M-4639
1301.71	1353.55	25.92	22.22	51.248	53.289	1.020	0.875	L2M-6747
1301.75	1353.82	26.04	22.22	51.250	53.300	1.025	0.875	L2M-1914
1350.00	1414.00	32.00	22.00	53.150	55.669	1.260	0.866	L2M-7065
1350.00	1415.00	32.50	25.00	53.150	55.709	1.280	0.984	L2M-3028
1380.00	1440.00	30.00	25.00	54.331	56.693	1.181	0.984	L2M-8594
1380.00	1440.00	30.00	25.00	54.331	56.693	1.181	0.984	L2M-8594